

WASHING SOLUTION - LM SERIES

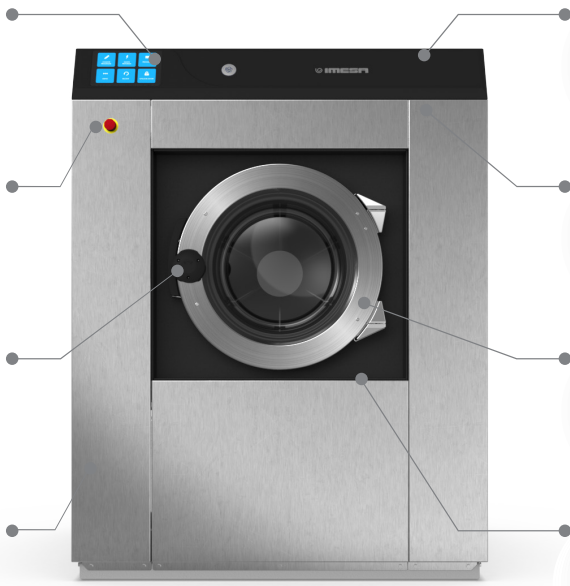
HIGH SPIN WASHING MACHINES LM 26 - 32 KG

IM11 - advanced UX and UI
New IM11 graphic layout for more human-machine interaction.

Smart control
Smart laundry weighing system and customization of the cycle parameters.

Reliability and maneuverability
Mechanical door lock system and conical door gasket.

Reduced vibrations and silence
New front washer gasket and door lock support pins.



360° management
Wi-fi control of the washing cycles through IM11, I'M CONNECT portal and App.

Better ergonomics
Black control panel tilted for better visibility and glazing door.

AISI 304 stainless steel structure
STAINLESS STEEL front, sides, top, drum, spider and outer drum.

High efficiency in centrifuge
Poly-v transmission belts, spin control system with reduction of dynamic imbalance.



SCAN FOR MORE INFO



Wet Cleaning Ready



SCAN FOR MORE INFO

OPTIONS and ACCESSORIES

- Predisposition for 11 peristaltic pumps for liquid detergent
- Up to 6 x 30 lt/h pumps including flush + lance + tank end signal
- Left-hand door opening
- Hard water inlet
- Second exhaust valve (for recovery circuit)
- Linen weighing system with "load cells"
- Crankcase with or without STAINLESS STEEL cover h200 or h300 mm

TECHNICAL DATA

LM 26

LM 32

- Capacity 1:9 - 1:10	27 - 28 Kg (57 - 62 lb)	33 - 36 Kg (73 - 79 lb)
- Drum diameter Ø	855 mm (33.6 inch.)	855 mm (33.6 inch.)
- Drum depth	444 mm (17.5 inch.)	557 mm (22 inch.)
- Drum volume	254 lt	320 lt
- Load diameter Ø	380 mm (15 inch.)	380 mm (15 inch.)
- Spin speed	915 r.p.m.	915 r.p.m.
- G Factor	400	400
- Air sound intensity	65 dB (A)	65 dB (A)
- Heating leakage	5 %	5 %
- Dynamic load (frequency)	30 kN (12.25 Hz)	35 kN (15.25 Hz)
- Cold water consumption*	172 l (6.07 ft³)	211 l (7.45 ft³)
- Hot water consumption*	50 l (1.7 ft³)	62 l (2.2 ft³)
- Water consumption*	222 l (7.8 ft³)	273 l (9.7 ft³)
- Drain flow	160 lt/min (5.6 ft³/min)	160 lt/min (5.6 ft³/min)
- Machine dimension WxDxH (100 mm = 3.93 inch.)	1100x996x1500 mm	1100x1081x1500 mm
- Net weight	530 Kg (560 lb)	548 Kg (582 lb)
- Packing dimension WxDxH (100 mm = 3.93 inch.)	1120x1130x1550 mm	1120x1130x1550 mm
- Gross weight	555 Kg (1223 lb)	573 Kg (1274 lb)
- Packaging volume	1,97 mc (69.6 ft³)	1,97 mc (69.6 ft³)
- STD. packed machines in to 20' container	10 pz.	10 pz.
- STD. packed machines in to 40' container	20 pz.	20 pz.

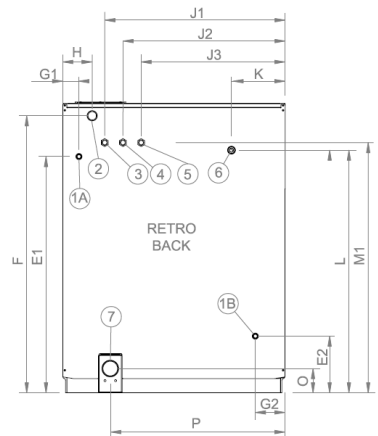
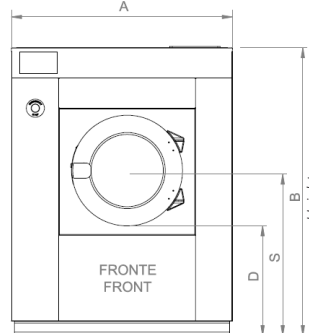
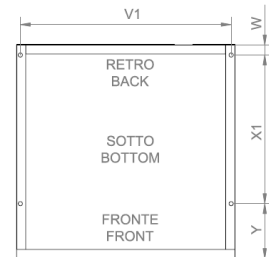
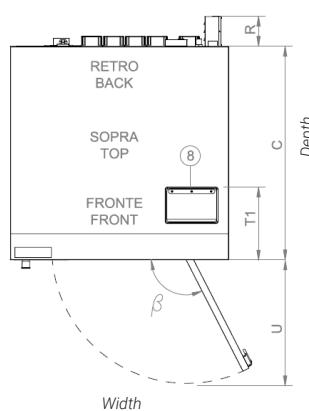
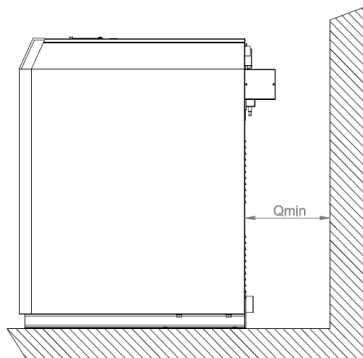
DATA BY TYPE OF HEATING

- Electrical Heating (electric machines)	28 kW	29 kW
- Consumption* (electric machines)	2,4 kWh	3,2 kWh
- Electric absorption (electric machines)	24 kW	24 kW
- 3ph400V-480V(+N) / 3ph230V / 1ph230V	40 / 69 A	42 / 71 A
- Steam heating consumption* (steam machines)	2 Kg (0.9 lb)	4 Kg (1.8 lb)
- Electric consumption* (hot-water machines)	1,5 kWh	2,3 kWh
- Electric absorption (hot-water machines)	4 kW	5 kW
- 3ph400V-480V(+N) / 3ph230V / 1ph230V	6 / 10 A	8 / 14 A

* Cycle "Cotton" 60* C \ EN60456, tab. A2

Total time electrical heating machine: LM 26 40 min., LM 32 45 min.

- Pos. 1A - Direct steam (only direct or undirect steam heated machines)
 - Pos. 1B - Indirect steam exit (only indirect steam heated machines) Ø 3/4"
 - Pos. 2 - Vent Ø 50 mm (2 inch.)
 - Pos. 3 - Hot water Ø 3/4"
 - Pos. 4 - Cold water Ø 3/4"
 - Pos. 5 - Hard water (if present) Ø 3/4"
 - Pos. 6 - Electrical power supply
 - Pos. 7 - Drain valve Ø 50 mm (2 inch.)
 - Pos. 8 - Powder detergent load
- 9 bar max steam pressure
Recommended steam pressure 5 bar



100 mm = 3.93 inch. - factor conversion 1 / 25,4

[mm]	A	B	C	D	E1	E2	F	G1	G2	H	J1	J2	J3	K	L	M1	O	P	Q _{min}	R	T1	U	V1	W	X1	Y	β
LM 26	1100	1500	996	555	1167	280	1344	80	145	145	898	800	710	257	1200	1236	120	860	600	155	365	634	1014	313	558	70	155°
LM 32	1100	1500	1081	555	1167	280	1344	80	145	145	898	800	710	257	1200	1236	120	860	600	155	365	634	1014	307	700	70	155°

CI180101X.05 - Specification and technical data are subject to modification.