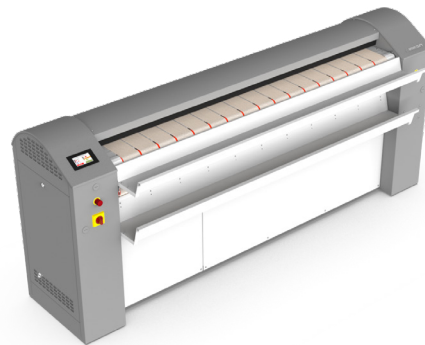
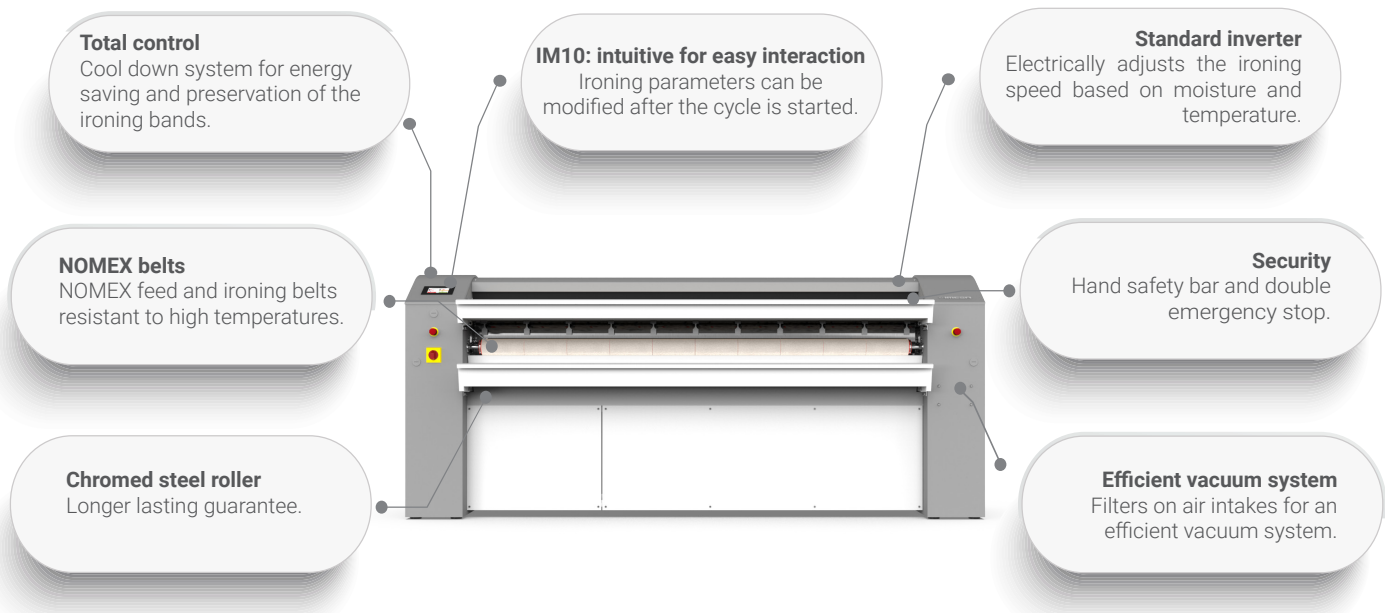


IRONING AND DRYING SOLUTION - MCA SERIES

DRYING IRONERS MCA 1500 - 1800 - 2100 Ø 33



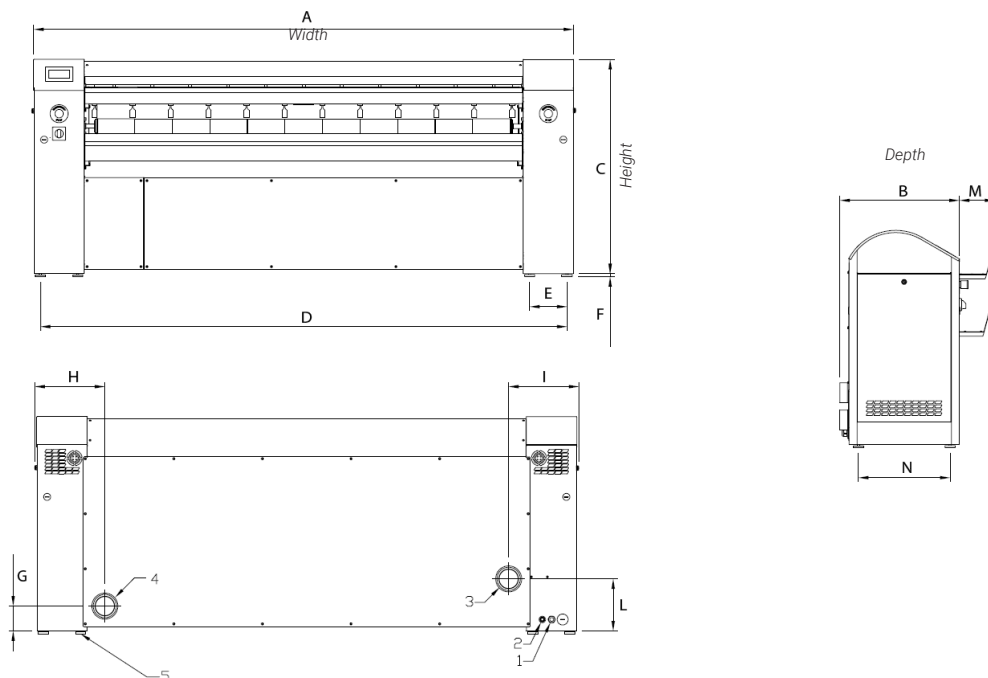
SCAN FOR MORE INFO

OPTIONS and ACCESSORIES

- Pedal for reversing roller rotation

TECHNICAL DATA	MCA 1500	MCA 1800	MCA 2100
- Ironing surface	1504 mm (59,2 inch.)	1880 mm (74 inch.)	2068 mm (81,4 inch.)
- Roller diameter Ø	330 mm (13 inch.)	330 mm (13 inch.)	330 mm (13 inch.)
- Hourly production**	34 kg/h (75 lb)	39 kg/h (86 lb)	49 kg/h (108 lb)
- Evaporation**	17 lt/h	19,5 lt/h	24,5 lt/h
- Rotation speed	1÷6 mt/min	1÷6 mt/min	1÷6 mt/min
- Humid air (pos. 3) Ø	100 mm (3,9 inch.)	100 mm (3,9 inch.)	100 mm (3,9 inch.)
- Humid air flowrate	350 m³/h	350 m³/h	350 m³/h
- Air sound intensity	55 db (A)	55 db (A)	55 db (A)
- Heating leak	3 %	3 %	3 %
- Feet thread	M10	M10	M10
- Machine dimension : WxDxH (100 mm = 3.93 inch.)	2134x598x1092 mm	2514x598x1092 mm	2704x598x1092 mm
- Net weight (electrical/gas)	382/412 Kg (842-908 lb)	431/449 Kg (950-1318 lb)	505/451 Kg (1113-994 lb)
- Standard packing dimension WxDxH (100 mm = 3.93 inch.)	2230x710x1270 mm	2610x710x1270 mm	2800x710x1270 mm
- Gross weight (electrical/gas)	420/450 Kg (925-992 lb)	478/496 Kg (1053-1093 lb)	556/502 Kg (1225-1106 lb)
- Packaging volume	2 m³ (70 ft³)	2,3 m³ (81 ft³)	2,5 m³ (88 ft³)
- STD. packed machines in to 20' container	8 pz.	6 pz.	6 pz.
- STD. packed machines in to 40' container	16 pz.	12 pz.	12 pz.
ELECTRIC HEATING DATA			
- Electrical Heating	20,7 kW	25,2 kW	28,8 kW
- Hourly consumption**	17 kWh	20 kWh	23 kWh
GAS HEATING DATA			
- Power	22 kW	24,6 kW	26 kW
- Hourly consumption (Nat. GAS)*	2,9 m³/h (102 ft³/h)	3,3 m³/h (116 ft³/h)	3,4 m³/h (120 ft³/h)
- Hourly consumption (GPL)*	2,0 Kg (4,4 lb)	2,2 Kg (4,8 lb)	2,3 Kg (5,1 lb)
- Smokes Ø (pos. 4)	100 mm (3,9 inch.)	100 mm (3,9 inch.)	100 mm (3,9 inch.)
ELECTRICAL ABSORPTIONS			
- Electrical heating (3 ph 400V-440V (+N) / 3 ph 230V / 1 ph 230V 50/60 Hz)	21,7 kW - 17,1 kWh	26,2 kW - 20,7 kWh	29,8 kW - 23,5 kWh
- Electrical heating (3 ph 400V-440V (+N) / 3 ph 230V / 1 ph 230V 50/60 Hz)	32 / 55 / 96 A	35 / 61 / 105 A	37 / 64 / 111 A
- GAS heating (3 ph 400V-440V (+N) / 3 ph 230V / 1 ph 230V 50/60 Hz)	1 kW - 0,5 kWh	1 kW - 0,5 kWh	1 kW - 0,5 kWh
- GAS heating (3 ph 400V-440V (+N) / 3 ph 230V / 1 ph 230V 50/60 Hz)	2 / 3 / 6 A	2 / 3 / 6 A	2 / 3 / 6 A

* GAS supplied at correct pressure, residual humidity 50%, use of 100% of the lenght of the roller.



pos. 1 - Electrical power supply, pos. 2 - GAS supply (only gas heated machines), pos. 3 - Humid air vent, pos. 4 - Smoke (for gas heated machines) vent, pos. 5 - 4 Feet (M10)
100 mm = 3.93 inch. - factor conversion 1 / 25,4

[mm]	A	B	C	D	E	F	G	H	I	L	M	N
MCA 1500	2134	598	1072	2067	187	15-20	124	351	352	260	178	459
MCA 1800	2514	598	1072	2478	187	15-20	124	351	352	260	178	459
MCA 2100	2704	598	1072	2637	187	15-20	124	351	352	260	178	459



imesa.it

Via degli Olmi 22 31040 Cessalto TV Italia - info@imesa.it

