

evo.LINE



EVOLUTION, EFFORT, ENGINEERING, EMOTION BY IMESA

THE REASON
FOR A
RENEWED LINE

THE REASON FOR A RENEWED LINE

EVO.Line is IMESA today.

It is our business environment that grows up with our people.

It is our determination to overcome obstacles.

It is the change oriented to the technological innovation and new materials.

It is the satisfaction of realizing our ideas.



WATCH THE VIDEO



News and Technology



- 1. NEW USER-EXPERIENCE**
Machines always connected with users for the development and the deployment of optimized cycles.
- 2. IMCONNECT**
The always connected web portal, much more than you can imagine.
- 3. NEW AESTHETIC**
Grey and black: balance, technology and elegance.
- 4. ADVANCED MECHANICS**
Efficiency, sturdiness and easy-to-use: performances are our goals.
- 5. OPTIMIZED CYCLES**
Customized washing cycles, control of consumption and result.
- 6. Laundry For You**
The new IMESA App designed for manager and end user.

User Experience



■ **MCONNECT**, THE ALWAYS CONNECTED WEB PORTAL
WITH **MCONNECT** YOU ARE ALWAYS CONNECTED TO YOUR LAUNDRY:
DATA AND INFORMATION AT YOUR DISPOSAL FOR YOUR BUSINESS CONTROL.

■ What

- Remote program of machines
- Track and check the washing cycle parameters
- Track and check the efficiency of your workforce and your installation
- Control the energy and water consumption
- Optimize the working process
- Detect alarm and malfunction notification
- Perform remote diagnosis with technical support

Through wi-fi connection data are always available and up-to-dated.

IM11 and IM10 are the user interfaces which make your laundry activities faster and easier. Designed and developed by a skilled IMESA Team, they meet the needs of the more demanding laundry managers.

1. IM11

Latest generation interface used on all IMESA washing machines LM, RC and D2W lines.

IM11 has a 7" capacity full touch display with new graphic layout, for an advanced User Experience.

- Full management of working parameters
- Machine remote control
- OPTIWASH® working cycles package
- Unlimited programming solutions
- Multilingual
- Easy-to-use and fast in use
- Wi-fi connection to IMConnect web-portal

IM11 cancels space and time distances, offering to our customer a targeted assistance service.

2. IM10

IM10 is the historical IMESA interface used on ES tumble dryers line, MCA and MCM drying ironers lines and FI flatwork ironers line, with high resolution and easy-to-use display.

It allows unlimited programming solutions as well as the management of drying and ironing parameters even when the cycle has already been selected and started.

Through USB key IM10 is connected with the operators to:

- Programs loading/downloading and transfer from a machine to another
- Load machine configuration presets to facilitate replacement of spare parts
- Download data related to the cycles performed (max 5000)

Installation and Registration: **IMCONNECT**, it's easy to connect!

IMCONNECT offers the best laundry management experience,
wherever you are, whoever you are,
USER, LAUNDRY MANAGER OR SERVICE TECHNICIAN.

How

It's easy, just apply for a customer access and you are ready!

Are you a distributor?

Create a profile for all your customers, register all the machinery and enjoy, in very few steps, all services and opportunities at your disposal with IMConnect

When

Log-in during the machine installation.

Record and manage all machine data, from the first start and for all its life.

Contact your IMESA referent to get all information you may need.

Elegance

Black and Grey, EVO.Line colours.



Black plastics
and grey painting



Smaller
emergency stop



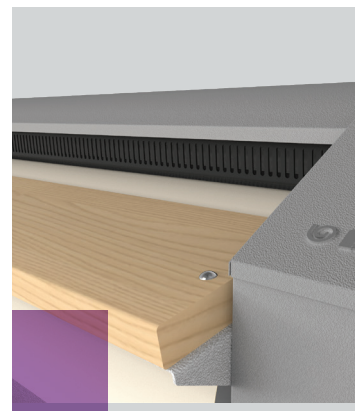
Black
switch disconnect



Grey
detergent tray



Rusting finishing on dryers door
satin finishing on washers door



Black
handbar

Focus Washing Machines



* complete range of washing machines

Stainless Steel spider

GREATER STURDINESS AND DURABILITY



* on LM 14-32 Kg and RC 14-30 Kg

New painted counter-wall

MORE EFFICIENCY INSULATION AND GREATER PERFORMANCE



* on LM 14-18-23 Kg

New anti-vibration side panels

LESS VIBRATION



* on LM 14-32 Kg and RC 14-30 Kg

New gasket on front panel

BETTER SILENCE AND LESS VIBRATION

EVO.Line The new washers for your laundry

Efficiency, sturdiness and easy-to-use machines for high-level results.

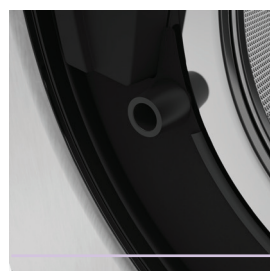
The new EVO.Line washing machines present new features and new performances.



* on LM 14-32 Kg and RC 14-30 Kg

New door support pins

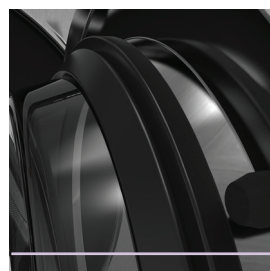
STABILITY AND BETTER SEAL



* on LM and RC range from 14 to 85 Kg

New mechanical door locking system

RELIABILITY AND MANOEUVRABILITY



* on LM 14-32 Kg and RC 14-30 Kg

New cone gasket door

STABILITY AND TIGHTNESS

Optiwash® Cycles



■ TESTED WASHING CYCLES

IMESA has a team and a laboratory specifically dedicated to testing and setting optimized washing cycles, by using IMESA washing machines.

That is how the efficient OPTIWASH® cycles packages are born, specific packages for EVO.Line washing machines and OPTIWASH® detergent line.

■ OPTIWASH®, WHY?

The total control of the washing cycle is an essential condition for a careful management of the laundry business.

Specific washing machines with intelligent programming system and a quality dosing system give excellent results at the lowest cost.

The knowledge of fabrics and their technical features, our familiarity with detergent line, their properties and their action on stains and fibers, as well as our experience in setting working cycles, are the acquired skills of IMESA team and laboratory.

The practice in creating a washing cycle through the definition of each of the 4 working phases of the washing machine, PRE-WASH, WASH, RINSE and SPIN is important to obtain a perfect laundry.

1. PRE-WASH

It's the phase before the actual washing and effective in the elimination of persistent dirt. It raises the deep action of detergent. It occurs in long-lasting cycles at medium and high temperatures, in normal cycles at 40°C/60°C, while it is normally not used in fast cycles, delicate cycles and for slightly dirty garments.

2. WASH

It's the longest phase in which the maximum interaction between temperature, chemistry and time is reached. A correct washing uses the right quantity of water and detergent and apply the correct force in the intermediate spin phases. For a conscious energy consumption it is important to use detergents that act already at low temperatures.

3. RINSE

By rinsing, the fibres are cleaned from all products used during the previous stages. It is therefore important to use professional and sustainable detergents with low environmental impact that ensure the respect of the fabrics in addition to the correct drum loading.

4. SPIN

In this final phase water is removed from the fabrics. For a correct drying and ironing phase, it is important to be able to manage the spin force and obtain the right degree of humidity of the garments.

The OPTIWASH® washing process is verified and guaranteed through the use of right detergents that aim to clean and care for the treated fabrics, also through the right balance between consumption and effectiveness guaranteed by the machines themselves.

The combination of IMESA washing machines and OPTIWASH® products guarantees:

- chemical action management
- balancing of consumption
- hygiene and cleanliness
- fabrics maintenance
- softness and fragrance
- high white point
- durability of machines
- performance guarantee

Laundry For You



THANKS TO THE IMESA App "Laundry For You", THE SELF-SERVICE LAUNDRY IS SMARTER AND EVEN MORE SOCIAL, CONNECTING COMPANY AND CUSTOMERS. HOSPITALITY, SPEED, INFORMATION ARE THE KEYS OF AN INTELLIGENT BUSINESS DEVELOPMENT AIMED TO END USER.

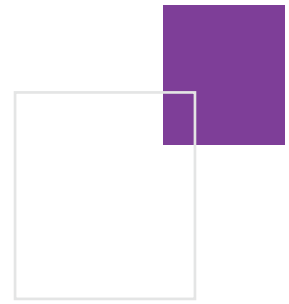
What

Designed for dealers and laundry managers it allows to better monitor and manage your machinery and access the dedicated web-portal for the creation of news and customized promotions.

Today it is composed of three environments:

- **News & Community:** for uploading of promotions and sharing of useful washing and drying news and tips.
- **Statistics:** for accessing operating and consumption data.
- **Technical Information:** for checking the main technical information on washing machine thanks to advanced technology.

By downloading the App on the mobile device, the user will join the IMESA Community. New customer oriented features are coming soon: machine booking, cashless payment and much more.



Our solutions are sustainable while we produce them.

They are sustainable while we use them.

Our solutions are definitely sustainable
because they guarantee the durability of the fabrics
over the time.



The IMESA range

HIGH SPIN WASHING MACHINES



High Spin Washing Machines 8-11Kg



High Spin Washing Machines 14-18-23Kg



High Spin Washing Machines 26-32Kg



High Spin Washing Machines 40-50-70-85Kg



High Spin Washing Machines 100-125Kg

ASEPTIC BARRIER WASHERS



Aseptic Barrier Washers 18-23Kg



Aseptic Barrier Washers 30-55Kg

LOW SPIN WASHING MACHINES



Low Spin Washing Machine 11Kg



Low Spin Washing Machines 18-23Kg



Low Spin Washing Machine 30Kg



Low Spin Washing Machines 40-55-70-85Kg

TANDEM

PROEasyLine



Professional Washing Machine and Tumble Dryer 6-8Kg



Tandem 11-18Kg

The IMESA range

TUMBLE DRYERS



Tumble Dryers 10-14-18Kg



Tumble Dryers 23-34Kg

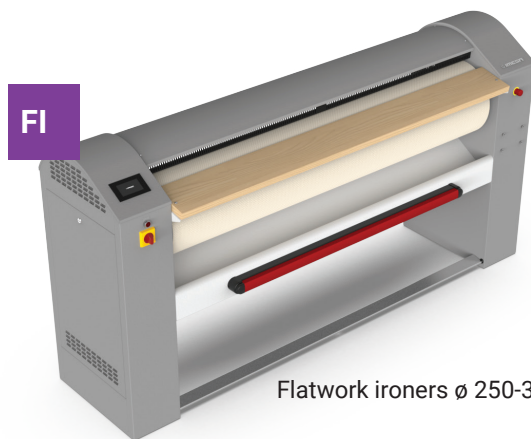


Tumble Dryers 55-75Kg



Green Tumble Dryers 10-14-18Kg

FLATWORK IRONERS



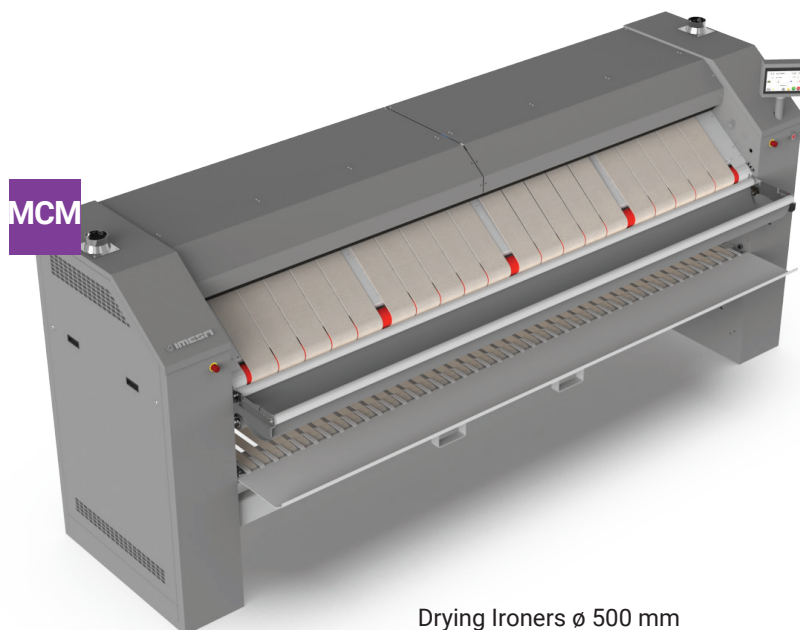
Flatwork ironers \varnothing 250-330 mm

DRYING IRONERS



Drying Ironers \varnothing 330 mm

DRYING IRONERS



Drying Ironers \varnothing 500 mm



 **IMESA**
designing your clean

Via degli Olmi, 22 31040 Cessalto (TV) Italy
Phone: +39.0421.468011
info@imesa.it
www.imesa.it